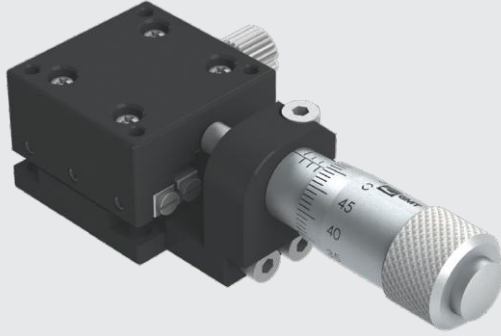


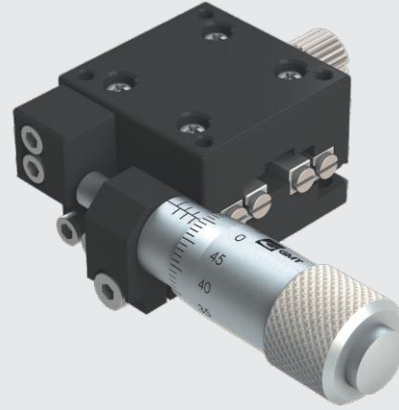
Crossed Roller Stages ▶ X-Axis and XY-Axis ▶ Aluminum Alloy

Crossed Roller Stages | 20*20

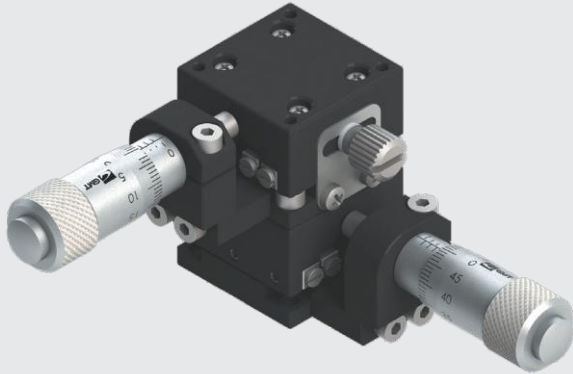
MX20-AC



MX20-AS



MY20-AC



MY20-AS



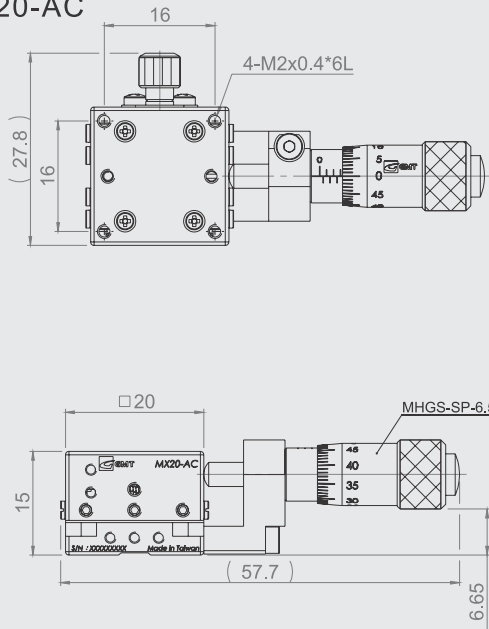
Unit : mm

Model No.	Table Size	Axis	Feed Position	Travel Stroke	Micrometer Minimum Reading (μm)	Straightness Accuracy (μm)	Allowable Loading (kgf)	Weight (kg)	Material	Surface Finish	
MX20-AC	20*20	X-axis	Central	± 3.2	10	3	1	0.03	Aluminum alloy	Black anodized	
MX20-AS			Side								
MY20-AC		XY-axis	Central								0.06
MY20-AS			Side								

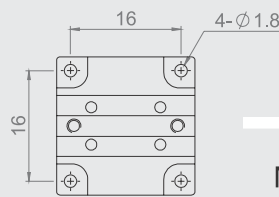
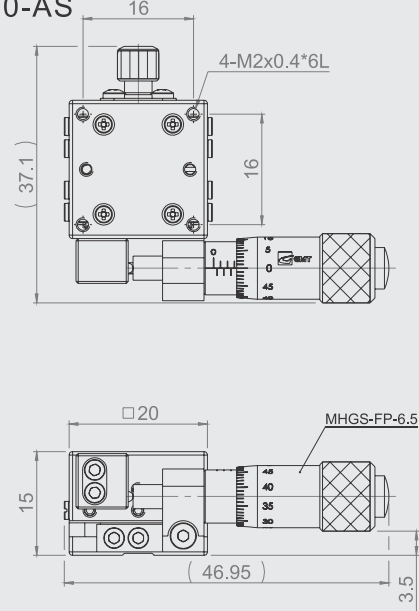
Crossed Roller Stages ► X-Axis and XY-Axis ► Aluminum Alloy

Crossed Roller Stages | 20*20

MX20-AC

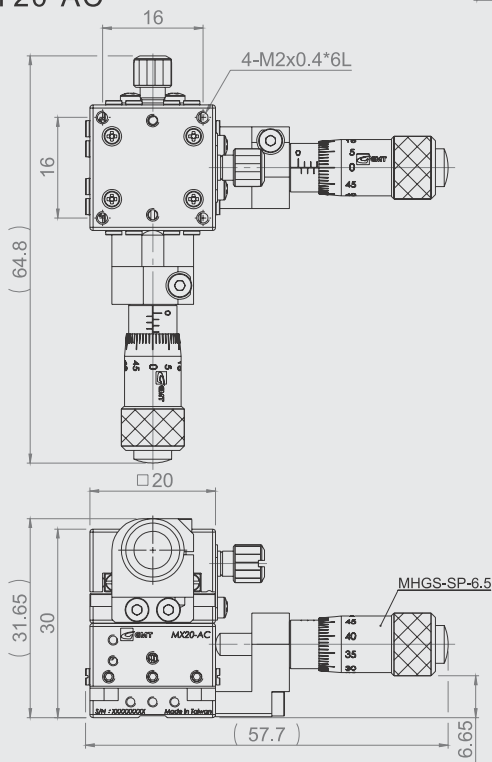


MX20-AS



MX(Y)20-A
Mounting
Dimension

MY20-AC



MY20-AS

